

DEECOS

SURFACE MOUNTED PROJECTORS, RECESSED PROJECTORS AND
PENDANT LUMINAIRES FOR INDOOR USE

DEECOS

Versatile and multi-talented

An appealing lighting design is a must for successful sales in shops, museums or galleries. With the latest generation of DEECOS track spotlights, RZB offers a professional lighting solution, which sets the standard in terms of flexibility, performance and lighting design at the point of sale. RZB achieves this commitment to quality thanks to a modular system. This system allows a customised lighting solution to be configured to suit just about any presentation situation, with the maximum amount of attention being drawn to the product or exhibit.

DEECOS spotlights are available in three sizes. Powerful converters ensure an excellent, flicker-free light quality, which stands out thanks to an unparalleled spectrum of available light colours (2700K, 3000K, 3500K, 4000K, champagne, meat and meat fresh) in various colour renditions (Ra82, Ra92 or Ra97 Food LEDs) with good colour consistency. There is a choice of two optical assemblies for the lighting. Whilst the MIRO-SILVER® reflector aims for excellent operating efficiency, the polycarbonate lens ensures an impressive uniformity of the light cone. With three beam angles (narrow, medium, wide) for each assembly, additional Superspot versions or with oval light cone and 356° horizontal and 90° vertical rotation, DEECOS spotlights offer a huge amount of design flexibility for light planners.

The wide range of DEECOS accessories opens up plenty of options for additional fine tuning. The user-friendly bayonet connection allows the installation of accessories in seconds, without the need for any tools. Exchanging interchangeable lenses or heat-resistant plastic rings for suppressing glare from the side is child's play. Fitters will be delighted with the installation-friendly plug and play function of this multi-talented luminaire. There is a choice of a 3-circuit track multi-adaptor or an adaptor for RZB 3-circuit DALI tracks for the connection.

Thanks to the latest LED lighting technology, the DEECOS range does not require cooling ribs. The clear, modern and timeless cylinder design transforms the high-quality, die-cast aluminium housing into unobtrusive, yet attractive accessories, which stay discreetly in the background and reliably do their job with a service life of at least 50,000 hours. The spotlights are also available as pendant, recessed or surface mounted luminaires.




Page 4-5



Page 6-11



Page 12-13

A modern interior scene featuring a vibrant green wall. Two black cylindrical pendant lights hang from the ceiling. In the foreground, a dark, reflective desk holds a tweed jacket, a pair of scissors, and some papers. The text "DRESS IN STYLE" is displayed in large, white, sans-serif letters against the green wall.

DRESS IN
STYLE



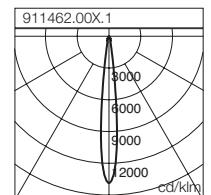
DEECOS R

Recessed projectors

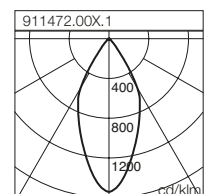
- High quality die-cast aluminum housing
- Excellent light quality through freedom from flicker, uniformity of the light cone, glare control and light colour quality
- Modern design: cylindrical shape with no visible cooling ribs
- Can be extended and retracted so that it is flush with the ceiling, turns by 356° and swivels by 90° for maximum flexibility in adjustment
- Inner cover prevents view into the false ceiling
- Equally suitable for reflector and lens technologies
- **MIRO-SILVER®** reflectors for outstanding efficiency or polycarbonate lenses for the best uniformity of the light cone, each with three different beam angles narrow, medium, wide
- Additional Superspot versions

- Black plastic ring with recessed LED for suppressing glare from the side
- Different light colours: 830, 840 with Ra 82
- Further light colours 927, 930, 935, 940 with Ra 92 available on request
- LED rated life 50,000 h (L80, B10)
- Good colour consistency within 3-steps MacAdam (3 SDCM)
- Converter with the best properties with respect to freedom from flicker and strobe effect
- Separate converter box with connecting cable
- Suitable for On/Off and DALI
- The following accessories can be mounted without use of tools: interchangeable lenses, hexagonal dots, diffusers clear and frosted, white interchangeable plastic ring

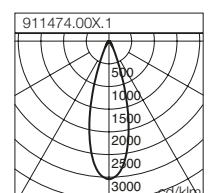
911462.00X.1		
h [m]	∅ [m]	E [lx]
1,0	0,20	22880
2,0	0,41	5720
3,0	0,61	2542
4,0	0,81	1430
5,0	1,02	915



911472.00X.1		
h [m]	∅ [m]	E [lx]
1,0	0,88	3454
2,0	1,76	863
3,0	2,63	384
4,0	3,51	216
5,0	4,39	138



911474.00X.1		
h [m]	∅ [m]	E [lx]
1,0	0,55	6437
2,0	1,11	1609
3,0	1,66	715
4,0	2,22	402
5,0	2,77	257



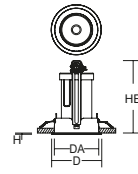
Recessed projectors | Series: Deecos R Mini

Type of Protection: IP 20
 Protection Class: II
 Ceiling Thickness: 1-20 mm
 Impact Protection: IK06

Housing: pressure die-cast aluminium, powder-coated. Rotation range: 356°. Swivel range: 90°. Can be swivelled flush with the ceiling. Heat resistant plastic ring black. Installation without tools thanks to spring fastening system. With optical assembly Miro-Silver reflector or polycarbonate lens. Passive cooling. Separate LED converter with connecting cable 250 mm.

LED included.

Available colours (X): 2 = white, 3 = black, 4 = silver coloured



Reference number	Dimensions	Lamp	Light colour	Luminaire flux	System power		dim-able	EEC	€ gross without VAT
------------------	------------	------	--------------	----------------	--------------	--	----------	-----	---------------------

Recessed projectors
Ceiling cut out DA 133 mm
Including lens for best uniformity of the light cone

911467.00X	D 143, H 3	LED	830	1900 lm	20 W	21°	on/off	A++ A++	178,50
911467.00X.76	D 143, H 3	LED	830	1900 lm	20 W	21°	DALI	A++ A++	219,50
911468.00X	D 143, H 3	LED	830	1800 lm	20 W	31°	on/off	A++ A++	178,50
911468.00X.76	D 143, H 3	LED	830	1800 lm	20 W	31°	DALI	A++ A++	219,50
911469.00X	D 143, H 3	LED	830	1700 lm	20 W	46°	on/off	A++ A++	178,50
911469.00X.76	D 143, H 3	LED	830	1700 lm	20 W	46°	DALI	A++ A++	219,50
911467.00X.1	D 143, H 3	LED	840	1950 lm	20 W	21°	on/off	A++ A++	178,50
911467.00X.1.76	D 143, H 3	LED	840	1950 lm	20 W	21°	DALI	A++ A++	219,50
911468.00X.1	D 143, H 3	LED	840	1850 lm	20 W	31°	on/off	A++ A++	178,50
911468.00X.1.76	D 143, H 3	LED	840	1850 lm	20 W	31°	DALI	A++ A++	219,50
911469.00X.1	D 143, H 3	LED	840	1750 lm	20 W	46°	on/off	A++ A++	178,50
911469.00X.1.76	D 143, H 3	LED	840	1750 lm	20 W	46°	DALI	A++ A++	219,50
911473.00X	D 143, H 3	LED	830	2700 lm	30 W	21°	on/off	A++ A++	188,50
911473.00X.76	D 143, H 3	LED	830	2700 lm	30 W	21°	DALI	A++ A++	238,50
911474.00X	D 143, H 3	LED	830	2550 lm	30 W	31°	on/off	A++ A++	188,50
911474.00X.76	D 143, H 3	LED	830	2550 lm	30 W	31°	DALI	A++ A++	238,50
911475.00X	D 143, H 3	LED	830	2400 lm	30 W	46°	on/off	A++ A++	188,50
911475.00X.76	D 143, H 3	LED	830	2400 lm	30 W	46°	DALI	A++ A++	238,50
911473.00X.1	D 143, H 3	LED	840	2750 lm	30 W	21°	on/off	A++ A++	188,50
911473.00X.1.76	D 143, H 3	LED	840	2750 lm	30 W	21°	DALI	A++ A++	238,50
911474.00X.1	D 143, H 3	LED	840	2650 lm	30 W	31°	on/off	A++ A++	188,50
911474.00X.1.76	D 143, H 3	LED	840	2650 lm	30 W	31°	DALI	A++ A++	238,50
911475.00X.1	D 143, H 3	LED	840	2450 lm	30 W	46°	on/off	A++ A++	188,50
911475.00X.1.76	D 143, H 3	LED	840	2450 lm	30 W	46°	DALI	A++ A++	238,50

Including reflector for maximum efficiency

911463.00X	D 143, H 3	LED	830	2250 lm	20 W	19°	on/off	A++ A++	168,50
911463.00X.76	D 143, H 3	LED	830	2250 lm	20 W	19°	DALI	A++ A++	218,50
911464.00X	D 143, H 3	LED	830	2100 lm	20 W	32°	on/off	A++ A++	168,50
911464.00X.76	D 143, H 3	LED	830	2100 lm	20 W	32°	DALI	A++ A++	218,50
911465.00X	D 143, H 3	LED	830	1900 lm	20 W	47°	on/off	A++ A++	168,50
911465.00X.76	D 143, H 3	LED	830	1900 lm	20 W	47°	DALI	A++ A++	218,50
911463.00X.1	D 143, H 3	LED	840	2300 lm	20 W	19°	on/off	A++ A++	168,50
911463.00X.1.76	D 143, H 3	LED	840	2300 lm	20 W	19°	DALI	A++ A++	218,50
911464.00X.1	D 143, H 3	LED	840	2150 lm	20 W	32°	on/off	A++ A++	168,50
911464.00X.1.76	D 143, H 3	LED	840	2150 lm	20 W	32°	DALI	A++ A++	218,50
911465.00X.1	D 143, H 3	LED	840	1900 lm	20 W	47°	on/off	A++ A++	168,50
911465.00X.1.76	D 143, H 3	LED	840	1900 lm	20 W	47°	DALI	A++ A++	218,50
911470.00X	D 143, H 3	LED	830	3200 lm	30 W	19°	on/off	A++ A++	178,50
911470.00X.76	D 143, H 3	LED	830	3200 lm	30 W	19°	DALI	A++ A++	228,50
911471.00X	D 143, H 3	LED	830	3000 lm	30 W	33°	on/off	A++ A++	178,50
911471.00X.76	D 143, H 3	LED	830	3000 lm	30 W	33°	DALI	A++ A++	228,50
911472.00X	D 143, H 3	LED	830	2700 lm	30 W	47°	on/off	A++ A++	178,50
911472.00X.76	D 143, H 3	LED	830	2700 lm	30 W	47°	DALI	A++ A++	228,50
911470.00X.1	D 143, H 3	LED	840	3300 lm	30 W	19°	on/off	A++ A++	178,50
911470.00X.1.76	D 143, H 3	LED	840	3300 lm	30 W	19°	DALI	A++ A++	228,50
911471.00X.1	D 143, H 3	LED	840	3100 lm	30 W	33°	on/off	A++ A++	178,50
911471.00X.1.76	D 143, H 3	LED	840	3100 lm	30 W	33°	DALI	A++ A++	228,50
911472.00X.1	D 143, H 3	LED	840	2800 lm	30 W	47°	on/off	A++ A++	178,50
911472.00X.1.76	D 143, H 3	LED	840	2800 lm	30 W	47°	DALI	A++ A++	228,50

Superspot version with small spot LED
Including lens for best uniformity of the light cone

911466.00X	D 143, H 3	LED	830	1750 lm	22 W	14°	on/off	A++ A++	178,50
911466.00X.76	D 143, H 3	LED	830	1750 lm	22 W	14°	DALI	A++ A++	219,50
911466.00X.1	D 143, H 3	LED	840	1800 lm	22 W	14°	on/off	A++ A++	178,50
911466.00X.1.76	D 143, H 3	LED	840	1800 lm	22 W	14°	DALI	A++ A++	219,50

Including reflector for maximum efficiency

911462.00X	D 143, H 3	LED	830	2000 lm	22 W	11°	on/off	A++ A++	168,50
911462.00X.76	D 143, H 3	LED	830	2000 lm	22 W	11°	DALI	A++ A++	218,50
911462.00X.1	D 143, H 3	LED	840	2050 lm	22 W	11°	on/off	A++ A++	168,50
911462.00X.1.76	D 143, H 3	LED	840	2050 lm	22 W	11°	DALI	A++ A++	218,50

Versions with Ra > 90 colour rendition are also available in other light colours on request

Comparison
LED vs. conventional lamps

LED 20 / 22 W ≈
 1 x 35 W HIT (45 W CB)

LED 30 W ≈
 1 x 50 W HIT (60 W CB)



Accessories: Page 14



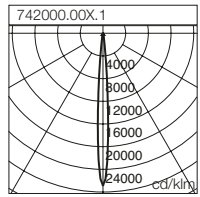
DEECOS

Surface mounted projectors

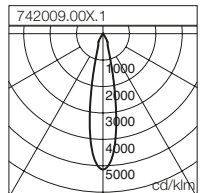
- High quality die-cast aluminium housing in two sizes
- Excellent light quality through freedom from flicker, uniformity of the light cone, glare control and light colour quality
- Modern design: cylindrical shape with no visible cooling ribs
- Converter integrated in the cylinder tube or in a separate box in the Mini B version
- Equally suitable for reflector and lens technologies
- **MIRO-SILVER**® reflectors for outstanding efficiency or polycarbonate lenses for the best uniformity of the light cone, each with three different beam angles narrow, medium, wide
- Additional Superspot versions
- Black plastic ring with recessed LED for suppressing glare from the side

- Different light colours: 830, 840 with Ra 82
- Further light colours 927, 930, 935, 940 with Ra 92 and with Maxi special food LEDs: champagne with Ra 97, meat and meat fresh available on request
- LED rated life 50,000 h (L80, B10)
- Good colour consistency within 3-steps MacAdam (3 SDCM)
- Converter with the best properties with respect to freedom from flicker and strobe effect
- Suitable for On/Off and DALI
- The following accessories can be mounted without use of tools: interchangeable lenses, hexagonal dots, diffusers clear and frosted, white interchangeable plastic ring

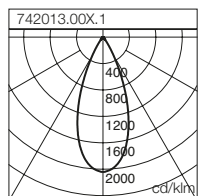
742000.00X.1		
h [m]	∅ [m]	E [lx]
1,0	0,13	44172
2,0	0,26	11043
3,0	0,39	4908
4,0	0,52	2761
5,0	0,65	1767



742009.00X.1		
h [m]	∅ [m]	E [lx]
1,0	0,37	17100
2,0	0,75	4275
3,0	1,12	1900
4,0	1,50	1069
5,0	1,87	684



742013.00X.1		
h [m]	∅ [m]	E [lx]
1,0	0,75	5454
2,0	1,50	1364
3,0	2,26	606
4,0	3,01	341
5,0	3,76	218



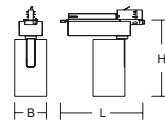
Surface mounted projectors | Series: Deecos S Mini B

Type of Protection: IP 20
 Protection Class: I
 Impact Protection: IK06

Housing: pressure die-cast aluminium, powder-coated. Rotation range: 356°. Swivel range: 90°. Heat resistant plastic ring black. With optical assembly Miro-Silver reflector or polycarbonate lens. Passive cooling. With multi adaptor for 3-circuit tracks 230 V. Ceiling and wall installation.

LED included.

Available colours (X): 2 = white, 3 = black, 4 = silver coloured



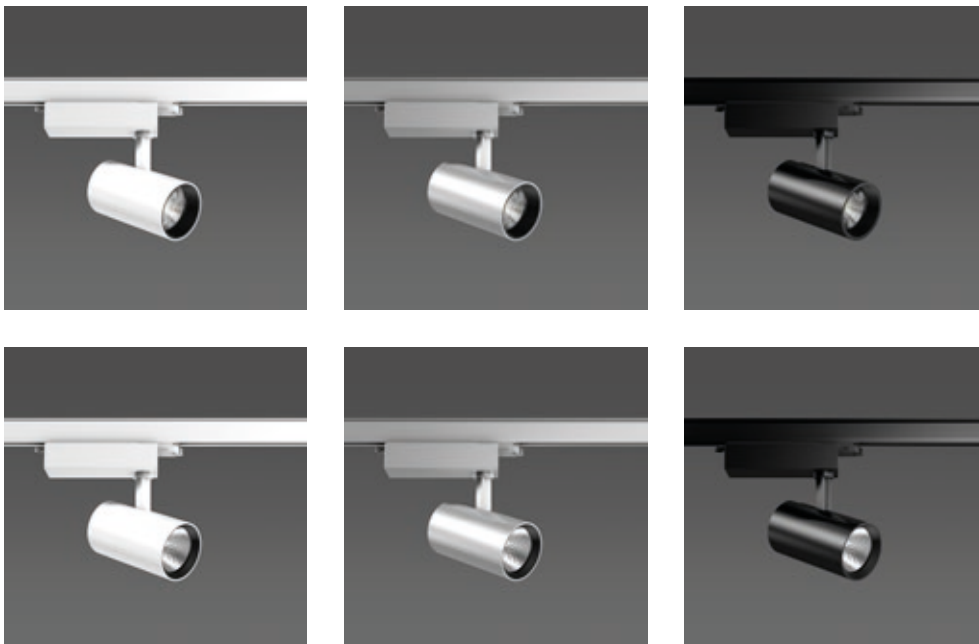
Reference number	Dimensions	Lamp	Light colour	Luminaire flux	System power	α	dim-able	EEC	€ gross without VAT
Surface mounted projector									
with multi adaptor for 3-circuit tracks 230 V									
Including lens for best uniformity of the light cone									
742033.00X	L 228, B 87, H 209	LED	830	1900 lm	20 W	21°	on/off	A++ A++	169,00
742034.00X	L 228, B 87, H 209	LED	830	1800 lm	20 W	31°	on/off	A++ A++	169,00
742035.00X	L 228, B 87, H 209	LED	830	1700 lm	20 W	46°	on/off	A++ A++	169,00
742033.00X.1	L 228, B 87, H 209	LED	840	1950 lm	20 W	21°	on/off	A++ A++	169,00
742034.00X.1	L 228, B 87, H 209	LED	840	1850 lm	20 W	31°	on/off	A++ A++	169,00
742035.00X.1	L 228, B 87, H 209	LED	840	1750 lm	20 W	46°	on/off	A++ A++	169,00
742039.00X	L 228, B 87, H 209	LED	830	2700 lm	30 W	21°	on/off	A++ A++	179,00
742040.00X	L 228, B 87, H 209	LED	830	2550 lm	30 W	31°	on/off	A++ A++	179,00
742041.00X	L 228, B 87, H 209	LED	830	2400 lm	30 W	46°	on/off	A++ A++	179,00
742039.00X.1	L 228, B 87, H 209	LED	840	2750 lm	30 W	21°	on/off	A++ A++	179,00
742040.00X.1	L 228, B 87, H 209	LED	840	2650 lm	30 W	31°	on/off	A++ A++	179,00
742041.00X.1	L 228, B 87, H 209	LED	840	2450 lm	30 W	46°	on/off	A++ A++	179,00
Including reflector for maximum efficiency									
742029.00X	L 228, B 87, H 209	LED	830	2250 lm	20 W	19°	on/off	A++ A++	159,00
742030.00X	L 228, B 87, H 209	LED	830	2100 lm	20 W	33°	on/off	A++ A++	159,00
742031.00X	L 228, B 87, H 209	LED	830	1900 lm	20 W	47°	on/off	A++ A++	159,00
742029.00X.1	L 228, B 87, H 209	LED	840	2300 lm	20 W	19°	on/off	A++ A++	159,00
742030.00X.1	L 228, B 87, H 209	LED	840	2150 lm	20 W	33°	on/off	A++ A++	159,00
742031.00X.1	L 228, B 87, H 209	LED	840	1900 lm	20 W	47°	on/off	A++ A++	159,00
742036.00X	L 228, B 87, H 209	LED	830	3200 lm	30 W	19°	on/off	A++ A++	169,00
742037.00X	L 228, B 87, H 209	LED	830	3000 lm	30 W	33°	on/off	A++ A++	169,00
742038.00X	L 228, B 87, H 209	LED	830	2700 lm	30 W	47°	on/off	A++ A++	169,00
742036.00X.1	L 228, B 87, H 209	LED	840	3300 lm	30 W	19°	on/off	A++ A++	169,00
742037.00X.1	L 228, B 87, H 209	LED	840	3100 lm	30 W	33°	on/off	A++ A++	169,00
742038.00X.1	L 228, B 87, H 209	LED	840	2800 lm	30 W	47°	on/off	A++ A++	169,00
Superspot version with small spot LED									
Including lens for best uniformity of the light cone									
742032.00X	L 228, B 87, H 209	LED	830	1750 lm	22 W	14°	on/off	A++ A++	169,00
742032.00X.1	L 228, B 87, H 209	LED	840	1800 lm	22 W	14°	on/off	A++ A++	169,00
Including reflector for maximum efficiency									
742028.00X	L 228, B 87, H 209	LED	830	2000 lm	22 W	11°	on/off	A++ A++	159,00
742028.00X.1	L 228, B 87, H 209	LED	840	2050 lm	22 W	11°	on/off	A++ A++	159,00

Versions with Ra > 90 colour rendition are also available in other light colours on request

Comparison
LED vs. conventional lamps

LED 20 / 22 W ≈
 1 x 35 W HIT (45 W CB)

LED 30 W ≈
 1 x 50 W HIT (60 W CB)



Accessories: Page 14



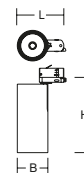
Surface mounted projectors | Series: Deecos S Mini

Type of Protection: IP 20
 Protection Class: I
 Impact Protection: IK06

Housing: pressure die-cast aluminium, powder-coated. Rotation range: 356°. Swivel range: 90°. Heat resistant plastic ring black. With optical assembly Miro-Silver reflector or polycarbonate lens. Passive cooling. With multi-adapter for 3-phase tracks or with adapter for RZB 3-phase DALI tracks. Ceiling mounting.

LED included.

Available colours (X): 2 = white, 3 = black, 4 = silver coloured



Comparison LED vs. conventional lamps

LED 20 / 22 W ≈
 1 x 35 W HIT (45 W CB)

LED 30 W ≈
 1 x 50 W HIT (60 W CB)

Reference number	Dimensions	Lamp	Light colour	Luminaire flux	System power	α	dim-able	EEC	€ gross without VAT
Surface mounted projector									
with multi adaptor for 3-circuit tracks 230 V									
Including lens for best uniformity of the light cone									
742019.00X	L 97, B 87, H 214	LED	830	1900 lm	20 W	21°	on/off	A++ A++	169,00
742020.00X	L 97, B 87, H 214	LED	830	1800 lm	20 W	31°	on/off	A++ A++	169,00
742021.00X	L 97, B 87, H 214	LED	830	1700 lm	20 W	46°	on/off	A++ A++	169,00
742019.00X.1	L 97, B 87, H 214	LED	840	1950 lm	20 W	21°	on/off	A++ A++	169,00
742020.00X.1	L 97, B 87, H 214	LED	840	1850 lm	20 W	31°	on/off	A++ A++	169,00
742021.00X.1	L 97, B 87, H 214	LED	840	1750 lm	20 W	46°	on/off	A++ A++	169,00
742025.00X	L 97, B 87, H 214	LED	830	2700 lm	30 W	21°	on/off	A++ A++	179,00
742026.00X	L 97, B 87, H 214	LED	830	2550 lm	30 W	31°	on/off	A++ A++	179,00
742027.00X	L 97, B 87, H 214	LED	830	2400 lm	30 W	46°	on/off	A++ A++	179,00
742025.00X.1	L 97, B 87, H 214	LED	840	2750 lm	30 W	21°	on/off	A++ A++	179,00
742026.00X.1	L 97, B 87, H 214	LED	840	2650 lm	30 W	31°	on/off	A++ A++	179,00
742027.00X.1	L 97, B 87, H 214	LED	840	2450 lm	30 W	46°	on/off	A++ A++	179,00
Including reflector for maximum efficiency									
742015.00X	L 97, B 87, H 214	LED	830	2250 lm	20 W	19°	on/off	A++ A++	159,00
742016.00X	L 97, B 87, H 214	LED	830	2100 lm	20 W	33°	on/off	A++ A++	159,00
742017.00X	L 97, B 87, H 214	LED	830	1900 lm	20 W	47°	on/off	A++ A++	159,00
742015.00X.1	L 97, B 87, H 214	LED	840	2300 lm	20 W	19°	on/off	A++ A++	159,00
742016.00X.1	L 97, B 87, H 214	LED	840	2150 lm	20 W	33°	on/off	A++ A++	159,00
742017.00X.1	L 97, B 87, H 214	LED	840	1900 lm	20 W	47°	on/off	A++ A++	159,00
742022.00X	L 97, B 87, H 214	LED	830	3200 lm	30 W	19°	on/off	A++ A++	169,00
742023.00X	L 97, B 87, H 214	LED	830	3000 lm	30 W	33°	on/off	A++ A++	169,00
742024.00X	L 97, B 87, H 214	LED	830	2700 lm	30 W	47°	on/off	A++ A++	169,00
742022.00X.1	L 97, B 87, H 214	LED	840	3300 lm	30 W	19°	on/off	A++ A++	169,00
742023.00X.1	L 97, B 87, H 214	LED	840	3100 lm	30 W	33°	on/off	A++ A++	169,00
742024.00X.1	L 97, B 87, H 214	LED	840	2800 lm	30 W	47°	on/off	A++ A++	169,00
Superspot version with small spot LED									
Including lens for best uniformity of the light cone									
742018.00X	L 97, B 87, H 214	LED	830	1750 lm	22 W	14°	on/off	A++ A++	169,00
742018.00X.1	L 97, B 87, H 214	LED	840	1800 lm	22 W	14°	on/off	A++ A++	169,00
Including reflector for maximum efficiency									
742014.00X	L 97, B 87, H 214	LED	830	2000 lm	22 W	11°	on/off	A++ A++	159,00
742014.00X.1	L 97, B 87, H 214	LED	840	2050 lm	22 W	11°	on/off	A++ A++	159,00

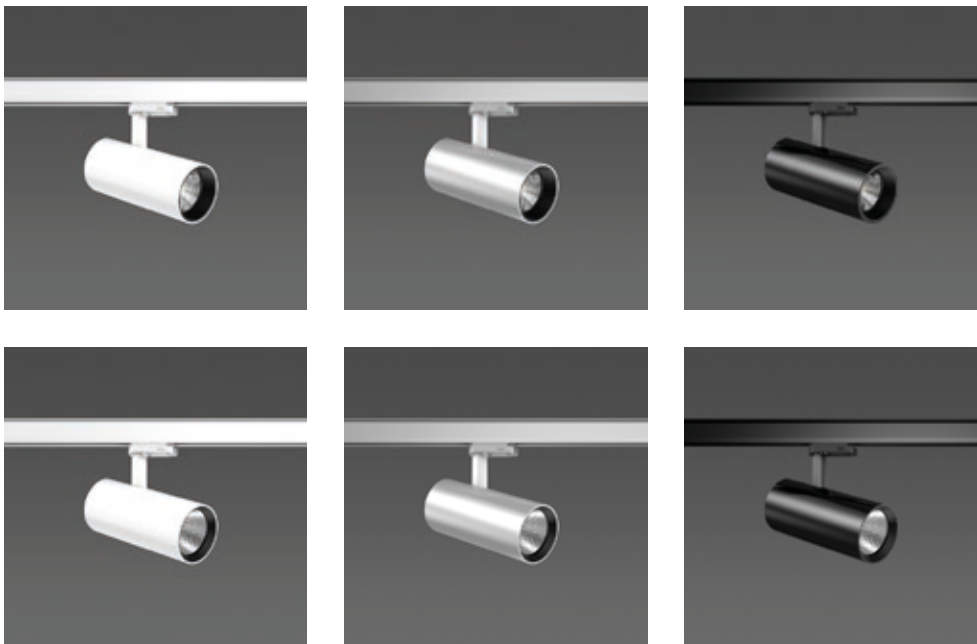
Versions with Ra > 90 colour rendition are also available in other light colours on request



Accessories: Page 14

Reference number	Dimensions	Lamp	Light colour	Luminaire flux	System power	α	dim-able	EEC	€ gross without VAT
Surface mounted projector									
with DALI adapter only for RZB 3-phase DALI track 230 V									
Including lens for best uniformity of the light cone									
742019.00X.76	L 97, B 87, H 214	LED	830	1900 lm	20 W	21°	DALI	A++ A++	219,00
742020.00X.76	L 97, B 87, H 214	LED	830	1800 lm	20 W	31°	DALI	A++ A++	219,00
742021.00X.76	L 97, B 87, H 214	LED	830	1700 lm	20 W	46°	DALI	A++ A++	219,00
742019.00X.1.76	L 97, B 87, H 214	LED	840	1950 lm	20 W	21°	DALI	A++ A++	219,00
742020.00X.1.76	L 97, B 87, H 214	LED	840	1850 lm	20 W	31°	DALI	A++ A++	219,00
742021.00X.1.76	L 97, B 87, H 214	LED	840	1750 lm	20 W	46°	DALI	A++ A++	219,00
742025.00X.76	L 97, B 87, H 214	LED	830	2700 lm	30 W	21°	DALI	A++ A++	229,00
742026.00X.76	L 97, B 87, H 214	LED	830	2550 lm	30 W	31°	DALI	A++ A++	229,00
742027.00X.76	L 97, B 87, H 214	LED	830	2400 lm	30 W	46°	DALI	A++ A++	229,00
742025.00X.1.76	L 97, B 87, H 214	LED	840	2750 lm	30 W	21°	DALI	A++ A++	229,00
742026.00X.1.76	L 97, B 87, H 214	LED	840	2650 lm	30 W	31°	DALI	A++ A++	229,00
742027.00X.1.76	L 97, B 87, H 214	LED	840	2450 lm	30 W	46°	DALI	A++ A++	229,00
Including reflector for maximum efficiency									
742015.00X.76	L 97, B 87, H 214	LED	830	2250 lm	20 W	19°	DALI	A++ A++	209,00
742016.00X.76	L 97, B 87, H 214	LED	830	2100 lm	20 W	33°	DALI	A++ A++	209,00
742017.00X.76	L 97, B 87, H 214	LED	830	1900 lm	20 W	47°	DALI	A++ A++	209,00
742015.00X.1.76	L 97, B 87, H 214	LED	840	2300 lm	20 W	19°	DALI	A++ A++	209,00
742016.00X.1.76	L 97, B 87, H 214	LED	840	2150 lm	20 W	33°	DALI	A++ A++	209,00
742017.00X.1.76	L 97, B 87, H 214	LED	840	1900 lm	20 W	47°	DALI	A++ A++	209,00
742022.00X.76	L 97, B 87, H 214	LED	830	3200 lm	30 W	19°	DALI	A++ A++	219,00
742023.00X.76	L 97, B 87, H 214	LED	830	3000 lm	30 W	33°	DALI	A++ A++	219,00
742024.00X.76	L 97, B 87, H 214	LED	830	2700 lm	30 W	47°	DALI	A++ A++	219,00
742022.00X.1.76	L 97, B 87, H 214	LED	840	3300 lm	30 W	19°	DALI	A++ A++	219,00
742023.00X.1.76	L 97, B 87, H 214	LED	840	3100 lm	30 W	33°	DALI	A++ A++	219,00
742024.00X.1.76	L 97, B 87, H 214	LED	840	2800 lm	30 W	47°	DALI	A++ A++	219,00
Superspot version with small spot LED									
Including lens for best uniformity of the light cone									
742018.00X.76	L 97, B 87, H 214	LED	830	1750 lm	22 W	14°	DALI	A++ A++	219,00
742018.00X.1.76	L 97, B 87, H 214	LED	840	1800 lm	22 W	14°	DALI	A++ A++	219,00
Including reflector for maximum efficiency									
742014.00X.76	L 97, B 87, H 214	LED	830	2000 lm	22 W	11°	DALI	A++ A++	209,00
742014.00X.1.76	L 97, B 87, H 214	LED	840	2050 lm	22 W	11°	DALI	A++ A++	209,00

**Comparison
LED vs. conventional lamps**
LED 20 / 22 W ≈
 1 x 35 W HIT (45 W CB)

LED 30 W ≈
 1 x 50 W HIT (60 W CB)


Accessories: Page 14



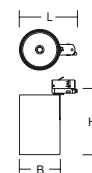
Surface mounted projectors | Series: Deecos S Maxi

Type of Protection: IP 20
 Protection Class: I
 Impact Protection: IK06

Housing: pressure die-cast aluminium, powder-coated. Rotation range: 356°. Swivel range: 90°. Heat resistant plastic ring black. With optical assembly Miro-Silver reflector or polycarbonate lens. Passive cooling. With multi-adapter for 3-phase tracks or with adapter for RZB 3-phase DALI tracks. Ceiling mounting.

LED included.

Available colours (X): 2 = white, 3 = black, 4 = silver coloured



Comparison LED vs. conventional lamps

LED 22 / 27 W ≈
 1 x 35 W HIT (45 W CB)

LED 38 W ≈
 1 x 50 W HIT (60 W CB)

Reference number	Dimensions	Lamp	Light colour	Luminaire flux	System power	α	dim-able	EEC	€ gross without VAT
Surface mounted projector									
with multi adaptor for 3-circuit tracks 230 V									
Including lens for best uniformity of the light cone									
742005.00X	L 133, B 123, H 200	LED	830	2400 lm	27 W	13°	on/off	A++ A++	184,00
742006.00X	L 133, B 123, H 200	LED	830	2350 lm	27 W	32°	on/off	A++ A++	184,00
742007.00X	L 133, B 123, H 200	LED	830	2400 lm	27 W	41°	on/off	A++ A++	184,00
742005.00X.1	L 133, B 123, H 200	LED	840	2500 lm	27 W	13°	on/off	A++ A++	184,00
742006.00X.1	L 133, B 123, H 200	LED	840	2450 lm	27 W	32°	on/off	A++ A++	184,00
742007.00X.1	L 133, B 123, H 200	LED	840	2500 lm	27 W	41°	on/off	A++ A++	184,00
742011.00X	L 133, B 123, H 200	LED	830	3150 lm	38 W	13°	on/off	A++ A++	194,00
742012.00X	L 133, B 123, H 200	LED	830	3050 lm	38 W	32°	on/off	A++ A++	194,00
742013.00X	L 133, B 123, H 200	LED	830	3150 lm	38 W	41°	on/off	A++ A++	194,00
742011.00X.1	L 133, B 123, H 200	LED	840	3350 lm	38 W	13°	on/off	A++ A++	194,00
742012.00X.1	L 133, B 123, H 200	LED	840	3250 lm	38 W	32°	on/off	A++ A++	194,00
742013.00X.1	L 133, B 123, H 200	LED	840	3350 lm	38 W	41°	on/off	A++ A++	194,00
Including reflector for maximum efficiency									
742001.00X	L 133, B 123, H 200	LED	830	3000 lm	27 W	12°	on/off	A++ A++	174,00
742002.00X	L 133, B 123, H 200	LED	830	3000 lm	27 W	21°	on/off	A++ A++	174,00
742003.00X	L 133, B 123, H 200	LED	830	2900 lm	27 W	35°	on/off	A++ A++	174,00
742001.00X.1	L 133, B 123, H 200	LED	840	3100 lm	27 W	12°	on/off	A++ A++	174,00
742002.00X.1	L 133, B 123, H 200	LED	840	3150 lm	27 W	21°	on/off	A++ A++	174,00
742003.00X.1	L 133, B 123, H 200	LED	840	3050 lm	27 W	35°	on/off	A++ A++	174,00
742008.00X	L 133, B 123, H 200	LED	830	3800 lm	38 W	12°	on/off	A++ A++	184,00
742009.00X	L 133, B 123, H 200	LED	830	3900 lm	38 W	21°	on/off	A++ A++	184,00
742010.00X	L 133, B 123, H 200	LED	830	3800 lm	38 W	35°	on/off	A++ A++	184,00
742008.00X.1	L 133, B 123, H 200	LED	840	4050 lm	38 W	12°	on/off	A++ A++	184,00
742009.00X.1	L 133, B 123, H 200	LED	840	4150 lm	38 W	21°	on/off	A++ A++	184,00
742010.00X.1	L 133, B 123, H 200	LED	840	4050 lm	38 W	35°	on/off	A++ A++	184,00
Superspot version with small spot LED									
Including lens for best uniformity of the light cone									
742004.00X	L 133, B 123, H 200	LED	830	1700 lm	22 W	9°	on/off	A++ A++	184,00
742004.00X.1	L 133, B 123, H 200	LED	840	1750 lm	22 W	9°	on/off	A++ A++	184,00
Including reflector for maximum efficiency									
742000.00X	L 133, B 123, H 200	LED	830	2000 lm	22 W	7°	on/off	A++ A++	174,00
742000.00X.1	L 133, B 123, H 200	LED	840	2050 lm	22 W	7°	on/off	A++ A++	174,00

Versions with Ra > 90 colour rendition are also available in other light colours on request



Accessories: Page 14

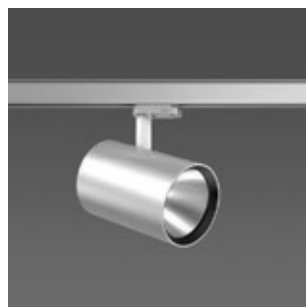
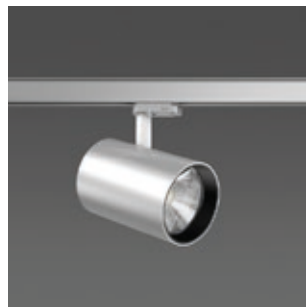
Reference number	Dimensions	Lamp	Light colour	Luminaire flux	System power	α	dim-able	EEC	€ gross without VAT
Surface mounted projector									
with DALI adapter only for RZB 3-phase DALI track 230 V									
Including lens for best uniformity of the light cone									
742005.00X.76	L 133, B 123, H 200	LED	830	2400 lm	27 W	13°	DALI	A++ A++	234,00
742006.00X.76	L 133, B 123, H 200	LED	830	2350 lm	27 W	32°	DALI	A++ A++	234,00
742007.00X.76	L 133, B 123, H 200	LED	830	2400 lm	27 W	41°	DALI	A++ A++	234,00
742005.00X.1.76	L 133, B 123, H 200	LED	840	2500 lm	27 W	13°	DALI	A++ A++	234,00
742006.00X.1.76	L 133, B 123, H 200	LED	840	2450 lm	27 W	32°	DALI	A++ A++	234,00
742007.00X.1.76	L 133, B 123, H 200	LED	840	2500 lm	27 W	41°	DALI	A++ A++	234,00
742011.00X.76	L 133, B 123, H 200	LED	830	3150 lm	38 W	13°	DALI	A++ A++	244,00
742012.00X.76	L 133, B 123, H 200	LED	830	3050 lm	38 W	32°	DALI	A++ A++	244,00
742013.00X.76	L 133, B 123, H 200	LED	830	3150 lm	38 W	41°	DALI	A++ A++	244,00
742011.00X.1.76	L 133, B 123, H 200	LED	840	3350 lm	38 W	13°	DALI	A++ A++	294,00
742012.00X.1.76	L 133, B 123, H 200	LED	840	3250 lm	38 W	32°	DALI	A++ A++	294,00
742013.00X.1.76	L 133, B 123, H 200	LED	840	3350 lm	38 W	41°	DALI	A++ A++	294,00
Including reflector for maximum efficiency									
742001.00X.76	L 133, B 123, H 200	LED	830	3000 lm	27 W	12°	DALI	A++ A++	224,00
742002.00X.76	L 133, B 123, H 200	LED	830	3000 lm	27 W	21°	DALI	A++ A++	224,00
742003.00X.76	L 133, B 123, H 200	LED	830	2900 lm	27 W	35°	DALI	A++ A++	224,00
742001.00X.1.76	L 133, B 123, H 200	LED	840	3100 lm	27 W	12°	DALI	A++ A++	224,00
742002.00X.1.76	L 133, B 123, H 200	LED	840	3150 lm	27 W	21°	DALI	A++ A++	224,00
742003.00X.1.76	L 133, B 123, H 200	LED	840	3050 lm	27 W	35°	DALI	A++ A++	224,00
742009.00X.76	L 133, B 123, H 200	LED	830	3900 lm	38 W	21°	DALI	A++ A++	234,00
742010.00X.76	L 133, B 123, H 200	LED	830	3800 lm	38 W	35°	DALI	A++ A++	234,00
742008.00X.76	L 133, B 123, H 200	LED	830	3800 lm	38 W	12°	DALI	A++ A++	234,00
742009.00X.1.76	L 133, B 123, H 200	LED	840	4150 lm	38 W	21°	DALI	A++ A++	284,00
742010.00X.1.76	L 133, B 123, H 200	LED	840	4050 lm	38 W	35°	DALI	A++ A++	284,00
742008.00X.1.76	L 133, B 123, H 200	LED	840	4050 lm	38 W	12°	DALI	A++ A++	284,00
Superspot version with small spot LED									
Including lens for best uniformity of the light cone									
742004.00X.76	L 133, B 123, H 200	LED	830	1700 lm	22 W	9°	DALI	A++ A++	234,00
742004.00X.1.76	L 133, B 123, H 200	LED	840	1750 lm	22 W	9°	DALI	A++ A++	234,00
Including reflector for maximum efficiency									
742000.00X.76	L 133, B 123, H 200	LED	830	2000 lm	22 W	7°	DALI	A++ A++	224,00
742000.00X.1.76	L 133, B 123, H 200	LED	840	2050 lm	22 W	7°	DALI	A++ A++	224,00

Versions with Ra > 90 colour rendition are also available in other light colours on request

**Comparison
LED vs. conventional lamps**

LED 22 / 27 W ≈
1 x 35 W HIT (45 W CB)

LED 38 W ≈
1 x 50 W HIT (60 W CB)



Accessories: Page 14

DALI

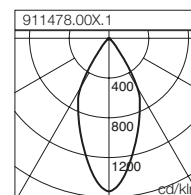
DEECOS P

Pendant luminaires

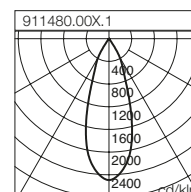
- High quality die-cast aluminium housing in two sizes
- Easy installation with transparent and adjustable 2 m pendant cable and canopy with magnetic attachment
- Excellent light quality through freedom from flicker, uniformity of the light cone, glare control and light colour quality
- Equally suitable for reflector and lens technologies
- MIRO-SILVER® reflectors for outstanding efficiency or polycarbonate lenses for the best uniformity of the light cone
- Black plastic ring with recessed LED for suppressing glare from the side

- Different light colours: 830, 840 with Ra 82
- Further light colours 927, 930, 935, 940 with Ra 92 available on request
- LED rated life 50,000 h (L80, B10)
- Good colour consistency within 3-steps MacAdam (3 SDCM)
- Converter with the best properties with respect to freedom from flicker and strobe effect
- Suitable for On/Off and DALI
- The following accessories can be mounted without use of tools: interchangeable lenses, hexagonal dots, diffusers clear and frosted, white interchangeable plastic ring

911478.00X.1		
h [m]	∅ [m]	E [lx]
1,0	0,88	3454
2,0	1,76	863
3,0	2,63	384
4,0	3,51	216
5,0	4,39	138



911480.00X.1		
h [m]	∅ [m]	E [lx]
1,0	0,63	8084
2,0	1,26	2021
3,0	1,89	898
4,0	2,52	505
5,0	3,15	323



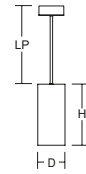
Pendant luminaires | Series: Deecos P Mini

Type of Protection: IP 20
 Protection Class: I
 Impact Protection: IK06
 Suspension Length: 2000 mm

Housing: pressure die-cast aluminium, powder-coated. Heat resistant plastic ring black.
 With faceted aluminium reflector optical assembly or polycarbonate lens. Passive cooling.
 Transparent pendant cable 2 m, can be shortened, with integrated steel cable. Canopy in powder coated sheet steel with magnetic attachment.

LED and LED converter included.

Available colours (X): 2 = white, 3 = black, 4 = silver coloured



Reference number	Dimensions	Lamp	Light colour	Luminaire flux	System power	α	UGR	dim-able	EEC	€ gross without VAT
Pendant luminaires										
Including lens for best uniformity of the light cone										
911477.00X	D 87, H 195	LED	830	1700 lm	20 W	46°	16,2	on/off	A++ A++	194,00
911477.00X.76	D 87, H 195	LED	830	1700 lm	20 W	46°	16,2	DALI	A++ A++	244,00
911477.00X.1	D 87, H 195	LED	840	1750 lm	20 W	46°	16,3	on/off	A++ A++	194,00
911477.00X.1.76	D 87, H 195	LED	840	1750 lm	20 W	46°	16,3	DALI	A++ A++	244,00
911479.00X	D 87, H 195	LED	830	2400 lm	30 W	46°	17,4	on/off	A++ A++	204,00
911479.00X.76	D 87, H 195	LED	830	2400 lm	30 W	46°	17,4	DALI	A++ A++	254,00
911479.00X.1	D 87, H 195	LED	840	2450 lm	30 W	46°	17,5	on/off	A++ A++	204,00
911479.00X.1.76	D 87, H 195	LED	840	2450 lm	30 W	46°	17,5	DALI	A++ A++	254,00
Including reflector for maximum efficiency										
911476.00X	D 87, H 195	LED	830	1900 lm	20 W	47°	19,5	on/off	A++ A++	184,00
911476.00X.76	D 87, H 195	LED	830	1900 lm	20 W	47°	19,5	DALI	A++ A++	234,00
911476.00X.1	D 87, H 195	LED	840	1900 lm	20 W	47°	19,6	on/off	A++ A++	184,00
911476.00X.1.76	D 87, H 195	LED	840	1900 lm	20 W	47°	19,6	DALI	A++ A++	234,00
911478.00X	D 87, H 195	LED	830	2700 lm	30 W	47°	20,8	on/off	A++ A++	194,00
911478.00X.76	D 87, H 195	LED	830	2700 lm	30 W	47°	20,8	DALI	A++ A++	244,00
911478.00X.1	D 87, H 195	LED	840	2800 lm	30 W	47°	20,9	on/off	A++ A++	194,00
911478.00X.1.76	D 87, H 195	LED	840	2800 lm	30 W	47°	20,9	DALI	A++ A++	244,00

Ra > 90 options on request

Comparison LED vs. conventional lamps

LED 20 W ≈
 1 x 35 W HIT (45 W CB)

LED 30 W ≈
 1 x 50 W HIT (60 W CB)

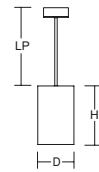
Pendant luminaires | Series: Deecos P Maxi

Type of Protection: IP 20
 Protection Class: I
 Impact Protection: IK06
 Suspension Length: 2000 mm

Housing: pressure die-cast aluminium, powder-coated. Heat resistant plastic ring black.
 With optical assembly Miro-Silver reflector or polycarbonate lens. Passive cooling.
 Transparent pendant cable 2 m, can be shortened, with integrated steel cable. Canopy in powder coated sheet steel with magnetic attachment.

LED and LED converter included.

Available colours (X): 2 = white, 3 = black, 4 = silver coloured



Reference number	Dimensions	Lamp	Light colour	Luminaire flux	System power	α	UGR	dim-able	EEC	€ gross without VAT
Pendant luminaires										
Including lens for best uniformity of the light cone										
911481.00X	D 123, H 181	LED	830	3150 lm	38 W	41°	14,4	on/off	A++ A++	209,00
911481.00X.76	D 123, H 181	LED	830	3150 lm	38 W	41°	14,4	DALI	A++ A++	259,00
911481.00X.1	D 123, H 181	LED	840	3350 lm	38 W	41°	14,6	on/off	A++ A++	209,00
911481.00X.1.76	D 123, H 181	LED	840	3350 lm	38 W	41°	14,6	DALI	A++ A++	259,00
Including reflector for maximum efficiency										
911480.00X	D 123, H 181	LED	830	3800 lm	38 W	35°	14,7	on/off	A++ A++	199,00
911480.00X.76	D 123, H 181	LED	830	3800 lm	38 W	35°	14,7	DALI	A++ A++	249,00
911480.00X.1	D 123, H 181	LED	840	4050 lm	38 W	35°	14,9	on/off	A++ A++	199,00
911480.00X.1.76	D 123, H 181	LED	840	4050 lm	38 W	35°	14,9	DALI	A++ A++	249,00

Versions with Ra > 90 colour rendition are also available in other light colours on request

Comparison LED vs. conventional lamps

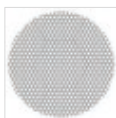
LED 38 W ≈
 1 x 70 W HIT (84 W CB)



Accessories: Page 14

Accessories | Series: Deecos Mini

Diffuser			Price Category 21
982370.000	D 75, H 3	Safety glass transparent	8,00
982370.010	D 75, H 3	Safety glass, satin finish	12,00



Anti-glare horizontal dots			Price Category 21
982371.003	D 74, H 3	Mini hexagonal dots	8,50



Interchangeable plastic rings			Price Category 21
982419.002	D 82, H 20	White plastic ring for reflector	10,50
982421.002	D 82, H 31	White plastic ring for lens	10,50



Interchangeable optical assemblies			Price Category 21
982368.003	D 82, H 55	Reflector, narrow beam 19°	27,50
982368.013	D 82, H 55	Reflector, medium beam 33°	27,50
982368.023	D 82, H 55	Reflector, wide beam 47°	27,50
982369.003	D 82, H 55	Lens narrow beam 21°	37,50
982369.013	D 82, H 55	Lens medium beam 31°	37,50
982369.023	D 82, H 55	Lens wide beam 46°	37,50
982369.033	D 82, H 55	Lens very wide beam 71°	37,50
982369.043	D 82, H 55	Lens corridor oval beam 28°/40°	37,50

Accessories | Series: Deecos Maxi

Diffuser			Price Category 21
982374.000	D 111, H 3	Safety glass transparent	11,00
982374.010	D 111, H 3	Safety glass, satin finish	15,00



Anti-glare horizontal dots			Price Category 21
982375.003	D 111, H 3	Maxi hexagonal dots	12,50



Interchangeable plastic rings			Price Category 21
982420.002	D 118, H 20	White plastic ring for reflector	12,90
982422.002	D 118, H 33	White plastic ring for lens	12,90



Interchangeable optical assemblies			Price Category 21
982372.003	D 118, H 83	Reflector, narrow beam 12°	32,50
982372.013	D 118, H 83	Reflector, medium beam 21°	32,50
982372.023	D 118, H 83	Reflector, wide beam 35°	32,50
982372.033	D 118, H 83	Reflector, very wide beam 63°	32,50
982373.003	D 118, H 83	Lens narrow beam 13°	42,50
982373.013	D 118, H 83	Lens medium beam 32°	42,50
982373.023	D 118, H 83	Lens wide beam 41°	42,50





06.2018



RZB
Rudolf Zimmermann,
Bamberg GmbH

Rheinstr. 16
96052 Bamberg
Germany

Phone +49 951/79 09-374
Fax +49 951/79 09-212

www.rzb-lighting.com
export@rzb.eu



Member of **licht.de**